



TORNADO INDUSTRIES, LLC
3101 WICHITA COURT
FORT WORTH, TX 76140
PHONE 800-VACUUMS
FAX 817-551-0719
WWW.TORNADOVAC.COM

**Operations & Maintenance Manual
For Commercial Use Only**



**230V PRO SPOTTER
MODEL NO: 98636**

Form No. L8636-2 BA 07/20 ©Tornado Industries, LLC. All rights reserved

Save These Instructions

NOTES

	<p>PROTECT THE ENVIROMENT Please dispose of packaging materials in an enviromentally safe way according to local waste disposal regulations.</p>
	<p>Always remember to recycle.</p>

Within 30 days, to activate the warranty, go to;
<https://tornadovac.com/services/warranty-registration-form.aspx>

For warranty information go to www.tornadovac.com

Your new Tornado unit is a high quality, precision-made product. All parts used in the manufacturing of this unit have passed rigid quality control standards prior to assembly. Please safeguard the original receipt / invoice. If you experience any problems with your unit during the warranty period, the original receipt / invoice will act as proof of purchase. Contact Tornado for any warranty inquiries.

IMPORTANT SAFETY INSTRUCTIONS

READ AND UNDERSTAND ALL INSTRUCTIONS BEFORE USING THIS UNIT

Read and understand this owner's manual and all labels on the unit before operating. Safety is a combination of common sense, staying alert and knowing how your unit works. Use this unit only as described in this manual. Use only manufacturer's recommended attachments. To reduce the risk of personal injury or damage to your unit use only Tornado recommended accessories.

WARNING To avoid fire, DO NOT use with a flammable or combustible liquid or floor cleaner.

WARNING To avoid electric shock, DO NOT expose to rain. Store Indoors.

- To reduce risk of fire, electric shock, or injury:
- Do not use outdoors or on wet surfaces.
- Do not leave unit unattended when plugged in. Turn off the switch and unplug the electrical cord when not in use and before servicing.
- Do not allow to be used as a toy. Close attention is necessary when used near children.
- Use only as described in this manual. Use only manufacturer's recommended attachments.
- Do not use with damaged cord or plug. If unit is not working as it should, has been dropped, damaged, left outdoors, or dropped into water, return it to a service center before using.
- Do not pull or carry by cord, use cord as a handle, close a door on cord, or pull a cord around sharp edges or corners. Do not run the unit over cord. Keep cord away from heated surfaces.
- Do not use extension cords or outlets with inadequate current carrying capacity.
- Turn off all controls before unplugging.
- Do not handle plug or unit with wet hands.
- Do not put any objects into openings. Do not use with any opening blocked, keep free of dust, lint, hair, and anything that may reduce airflow.
- Keep hair, loose clothing, fingers, and all parts of body away from openings and moving parts.
- Do not pick up anything that is burning or smoking, such as cigarettes, matches or hot ashes.
- Use extra care when cleaning on stairs. Do not use to pick up flammable or combustible liquids such as gasoline, or use in areas where they may be present.
- Store your unit indoors in a cool, dry area.
- Do not unplug by pulling on cord. To unplug, grasp the plug, NOT THE CORD.
- Follow these guidelines to ensure operator safety and to maintain equipment in running order.
- Make sure the machine is plugged into an electrical outlet with the same voltage rating as shown on the nameplate of the machine.
- Do not attempt to plug a 115 volt machine into a 230 volt outlet or a 230 volt machine into a 115 outlet.
- Replace a damaged cord immediately.
- If an extension cord is necessary, use a three conductor grounding cord-12 gauge wire or heavier to prevent motor burnout and over-heating of wires
- Do not expose the machine to freezing temperatures.

SAVE THESE INSTRUCTIONS FOR FUTURE REFERENCE

- Do not use the machine for totally dry vacuuming. This machine is not fitted with a fine dust filter.
- Do not use citrus-based cleaners in this machine.
- Do not use cleaning chemicals in this machine except those recommended for commercial extraction equipment. The use of any chemical with abrasive additives voids the warranty.
- Do not break off or pull out the ground prong on the plug.
- Do not attempt repair on a warranted machine unless instructions to perform it by an authorized shop are obtained from the factory.
- Do not use any replacement parts except those specified on the parts list. Proper performance of the machine could be affected if substitutions are made.
- Use defoamer at all times to prevent damaging the vacuum motor.
- Do not use water in excess of 140° F (60° C).
- Failure to comply with the above warning instructions will void the warranty.

GROUNDING INSTRUCTIONS

This appliance must be grounded. If it should malfunction or breakdown, grounding provides a path of least resistance for electric current to reduce the risk electric shock. This machine is equipped with a cord having an equipment -grounding conductor and grounding plug. The plug must be inserted into an appropriate outlet that is properly installed and grounded in accordance with all local codes and ordinances.

WARNING: Improper connection of the equipment-grounding conductor can result in a risk of electric shock. Check with a qualified electrician or service person if you are in doubt as to whether the outlet is properly grounded. Do not modify the plug provided with the appliance - if it will not fit the outlet, have a proper outlet installed by a qualified electrician.

This appliance is for use on a nominal 230-volt circuit.

Model	98636-AUS	98636-EU
Input Voltage	230 VAC	230 VAC
Plug Type	AUS	Euro
Solution Tank	3.5 Gal/13.2 l	3.5 Gal/13.2 l
Recovery Tank	2.5 Gal/9.5 l	2.5 Gal/9.5 l
Dimensions	24" x 14" x 23"/61cm x 36 cm x 58 cm	24" x 14" x 23"/61cm x 36 cm x 58 cm
Weight	36 lbs./16kg	36 lbs./16kg
Waterlift	89"/226 cm	89"/226 cm
CFM/CMM	104/3	104/3
Solution Pressure	55 p.s.i./3.8 BAR	55 p.s.i./3.8 BAR

OPERATING INSTRUCTIONS

Filling the Pro Spotter

- Unplug the unit.
- Disconnect the solution and recovery tanks.
- Remove the upper recovery tank.
- Add water and/or chemicals to the lower solution tank. Fill only to the fill line indicated on the label on the inside of the solution tank. The tank will hold up to 3.5 gallons.

Operating the Pro Spotter

- Attach the solution hose to the quick disconnect in the pocket at the front of the machine.
- Attach the vacuum hose to the vacuum inlet (handle) above the recovery tank lid.
- Turn the 3-way switch to use either the pump and vacuum or the vacuum alone. (Allow approximately 30 seconds for the pump to prime).
- Use the hand tool to spray and recover the solution.
- The float shut-off will disable the suction of the unit when the recovery tank is full. The operator will notice a distinctive change in the sound of the vacuum motor when the shut-off is activated. Empty the recovery tank, and then fill the solution tank, to resume cleaning.

Emptying the Recovery Tank

- Unplug the unit.
- Disconnect the solution line and vacuum hose.
- Unlatch the recovery tank from the base of the unit and remove.
- Remove the drain plug.
- Drain the tank over a suitable outlet for wastewater.
- Rinse the tanks after each use.
- Store the unit with the lid off of the recovery and allow it to air dry.



Solution Hose Connection

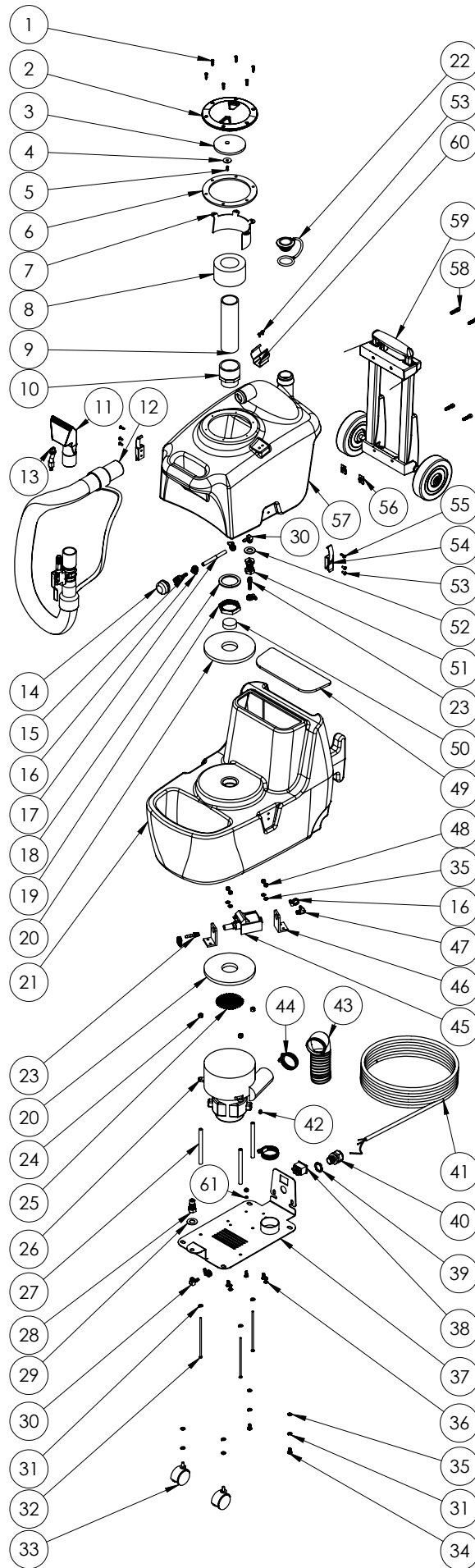


3-Way Switch

TROUBLESHOOTING

Problem	Possible Cause	Solution
No Spray	Pump is not primed.	Depress lever on hand tool to release pressure.
Low Solution Flow	Solution tank level is low. Clogged filter. Clogged Spray jet.	Refill Solution tank.* Clean the screen filter on the hose in the solution tank. Clean the spray jet in the hand tool.
Low Suction	Recovery tank is full. Clogged Hand Tool or hose. Excessive foam.	Empty recovery tank. Clean Hand Tool and hose. Add defoamer to recovery tank.

*Before re-filling the solution tank, always empty the recovery tank.



No.	Part No.	Qty	Description
1	X8295	6	Screw, #8 x 3/4"
2	PX103A	1	Screw-In Lid 6" w/Black Ring
3	X9061	1	Shut Off Disk
4	X9087	1	Washer
5	X9088	1	Screw 8-18 x 1/2"
6	PX103AG	1	Lid Gasket
7	X9518	1	Deflector
8	X9062	1	Float
9	X9082	1	Pipe 1-1/2 x 6-1/2"
10	X9076	1	Bulkhead Fitting 1-1/2" MPT x 1-1/2" Female Slip
11	72821A	1	Detailer Tool 1-1/2"
12	X9058	1	Stretch Hose Assembly 10'
13	72764A	1	Nozzle Adapter
14	PX30	1	Solution Tank Filter
15	PX213	1	Nylon Fitting 1/4" MPT x 1/4" Hose Barb
16	7DL003	6	Hose Clamp
17	71817A	26"	Hose, 1/4" 250 PSI
18	PX14A	1	Gasket
19	PX46	1	Lock Nut
20	X9079	2	Gasket
21	X1920BLK	1	Solution Tank
22	PAS36	1	Drain Hose Plug and Strap
23	PC66	2	Hose Barb 1/4"H x 1/8MPT
24	X8237	3	Nyloc Nut
25	X9060	1	Vacuum Motor Screen
26	1989	1	Vacuum Motor 2 Stage 230V
27	X9045	3	Spacer
28	PC10	1	QD Male 1/8" x 1/8" NPT
29	X9412	1	Washer
30	7AT006	2	Brass 90 Deg. Elbow Fitting 1/4" Barb x 1/8" MPT
31	X8212	8	Washer
32	X8291	3	Screw 1/4-20 x 5-1/2"
33	X9047	2	Swivel Caster 45mm 1/4-20 x 3/4"
34	7BS003	2	Screw 1/4-20 x 1/2"
35	00-0600-0503	8	Washer
36	30676	5	Screw 10-24 x 5/8"
37	X9046	1	Base Plate
38	X9048	1	Rocker Switch
39	X8008N	1	Lock Nut 1/2" Steel
40	PD8	1	Strain Relief

No.	Part No.	Qty	Description
41	M1401-AUS	1	Cord 20M w/Australian Plug (98636-AUS)
41	71912A	1	Cord 14/3 35' w/ Euro Plug (98636-EU)
42	19565	1	Screw #8 x 3/8"
43	7CZ001	1	Vacuum Hose 2"
44	PX215	2	Hose Clamp
45	FJ5082-2	1	Pump 230V
46	PX204	2	Pump Mount
47	PX214	1	Nylon Fitting 90 Deg. 1/8" MPT x 1/4" Hose Barb
48	X8271	5	Nyloc Nut
49	X9064	1	Gasket
50	PX209	1	Foam Filter
51	7AJ004	1	Brass Anchor Connector 1/8" PFT x MPT
52	72115A	1	Washer
53	X8262	6	Screw 8-32 x 1/4"
54	X9059	2	Latch w/Keeper
55	X8278	2	Screw 8-32 x 1/2"
56	X9106	2	Nut
57	X1921YEL	1	Recovery Tank Yellow
58	X9065	4	Screw 1/4-20 x 1"
59	X8990	1	Handle w/Wheel Assembly
60	72173A	1	Spring Clip
61	7CY001	1	Int. Toothed Lock Washer
Not Shown	X2045	1	Fill Line Indicator Label
Not Shown	72697A	1	Wire Reinforced Hose

